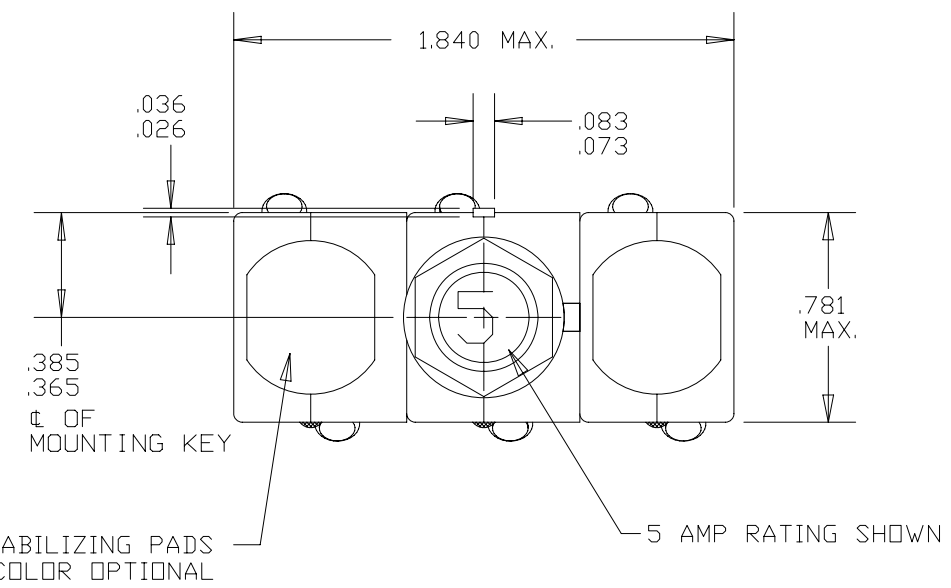


Property of
Sensata Technologies

ZONE	REV.	REVISION DESCRIPTION	ECN NO.	DATE
C4	V	ADDED "COLOR OPTIONAL" TO STABILIZING PAD NOTE; PD	ECO-059808	02-NOV-2010



PERFORMANCE CHARACTERISTICS

DETAIL PERFORMANCE PER AS58091-A1

OVERLOAD CYCLING ----- 100 CYCLES AT 200% RATING
 VIBRATION ----- 10 G'S MINIMUM 50-500 HZ
 MECHANICAL SHOCK ----- 50 G'S
 ACCELERATION ----- 10 G'S
 SAND AND DUST ----- 12 HOURS
 CORROSION ----- SALT SPRAY 50 HOURS
 HUMIDITY ----- 10 DAYS
 EXPLOSION PROOF ----- WHILE INTERRUPTING RUPTURE CURRENTS

ENDURANCE:

120 VAC	400 HZ INDUCTIVE	2500 CYCLES
MECHANICAL	400 HZ RESISTIVE	5000 CYCLES
	NO LOAD	5000 CYCLES

SINGLE * OR THREE PHASE CALIBRATION: 2 AMP THRU 25 AMP

	MIN. ULT. TRIP	MAX. ULT. TRIP	200%	500%	1000%
+25°C, +77°F	110% RATING	145% RATING	4-20 SEC.	.40-2.0 SEC.	.10-.53 SEC.
-55°C, -65°F	110% RATING	165% RATING	6-40 SEC.	.55-3.5 SEC.	.15-.80 SEC.
+71°C, +160°F	100% RATING	145% RATING	3-20 SEC.	.33-1.7 SEC.	.08-.40 SEC.

RUPTURE:

2 AMP THRU 20 AMP	120 VAC, 400 HZ	2000 AMPS
25 AMP	120 VAC, 400 HZ	1600 AMPS

MAXIMUM OPERATING FORCES

PULL OUT ----- 12 LBS. MAX. (53.4 N)
 RESET ----- 12 LBS. MAX. (53.4 N)

OPERATING ALTITUDE: 70,000 FT. (21,000 M)

WEIGHT: 65.0 GRAMS MAX. (.143 LBS.)

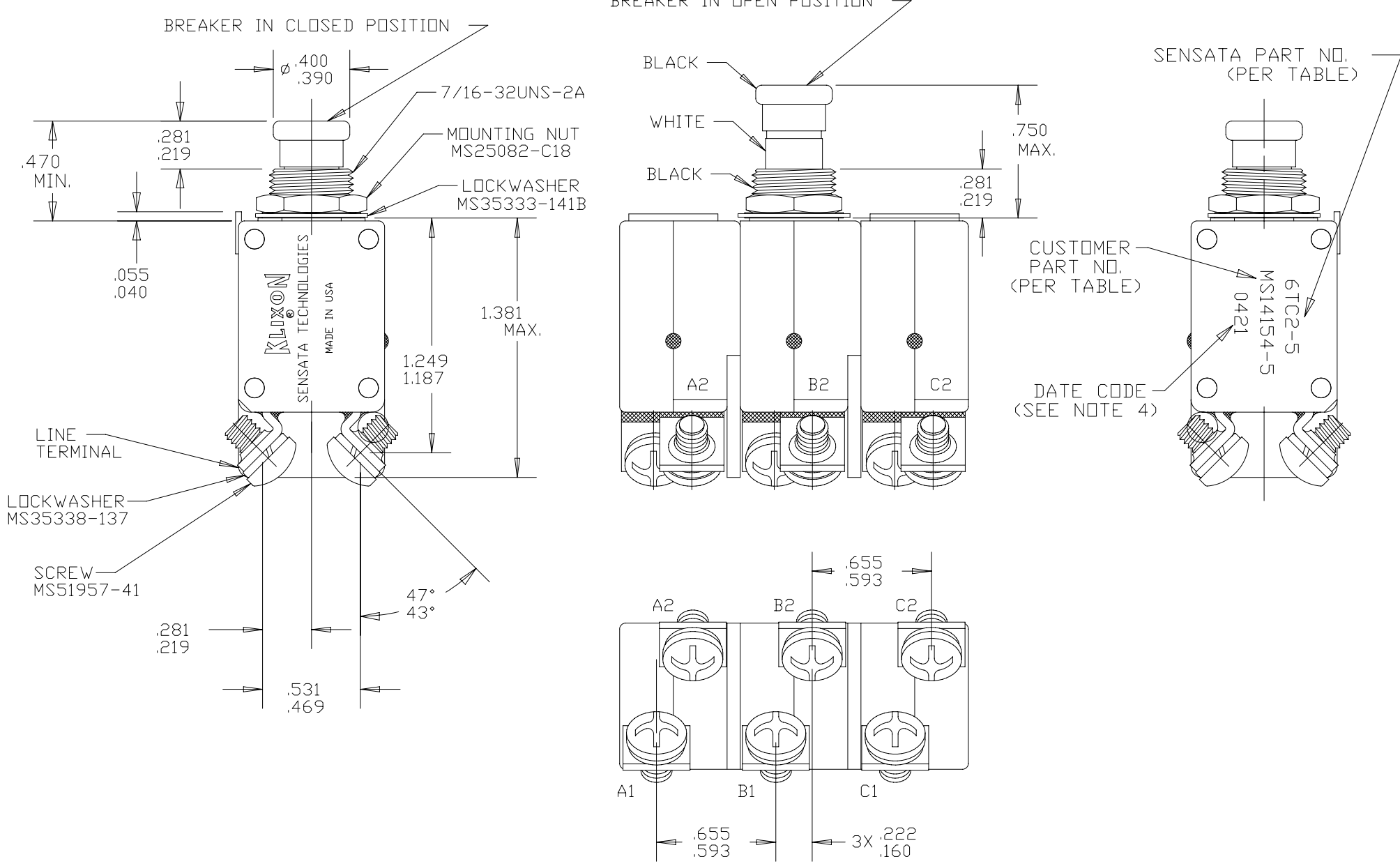
VOLTAGE DROP:

2 AMP	0.70 VOLTS MAX.
2.5 AMP	0.50 VOLTS MAX.
3 AMP	0.40 VOLTS MAX.
4 AMP	0.37 VOLTS MAX.
5 AMP	0.35 VOLTS MAX.
7.5 AMP	.192 VOLTS MAX.
10 AMP	.176 VOLTS MAX.
12 AMP	.211 VOLTS MAX.
15 AMP	.176 VOLTS MAX.
20 AMP	.176 VOLTS MAX.
25 AMP	.176 VOLTS MAX.

* SINGLE PHASE MAXIMUM ULTIMATE TRIP VALUES APPLY WITH OTHER TWO PHASES CARRYING 100% OF RATED CURRENT

NOTES:

- EPOXY SURFACES ARE NON-DIMENSIONED, ENVELOPE DRAWING DIMENSIONS DO NOT APPLY TO THESE PROJECTED EPOXY SURFACES.
- TERMINAL AND MOUNTING HARDWARE MAY BE PACKAGED RATHER THAN INSTALLED.
- COUNTRY OF ORIGIN IS SHOWN FOR ILLUSTRATION PURPOSES ONLY. COUNTRY OF ORIGIN TO BE IDENTIFIED AS REQUIRED.
- DATE CODE PER 10588-285.
- ALL MARKINGS TO BE MADE IN APPROXIMATE POSITIONS SHOWN WITH BLACK INK PER 12506-70, 3/32 HIGH CHARACTERS.



SENSATA PART NO.	CUSTOMER PART NO.
6TC2-25	N/A
6TC2-20	MS14154-20
6TC2-15	MS14154-15
6TC2-10	MS14154-10
6TC2-7 1/2	MS14154-7-1/2
6TC2-5	MS14154-5
6TC2-4	MS14154-4
6TC2-3	MS14154-3
6TC2-2 1/2	MS14154-2-1/2
6TC2-2	MS14154-2

FOR REFERENCE ONLY, CHECK LATEST REVISION BEFORE USE. PARTS MADE TO THIS PRINT MUST CONFORM TO E9898 REV. E		529 PLEASANT STREET P.O. BOX 2964 ATTLEBORO, MA 02703	
DRAWN C. FLEURANT DATE 04-APR-1994 ENGINEER J. FOWLER DATE 04-APR-1994 APPROVED	SENSATA TECHNOLOGIES PROPRIETARY AND CONFIDENTIAL. NEITHER THIS PRINT NOR THE INFORMATION CONTAINED HEREON IS TO BE USED AGAINST THE INTERESTS OF SENSATA TECHNOLOGIES OR AGAINST THE INTERESTS OF ANY OF ITS AFFILIATED COMPANIES OR WHOLLY OWNED SUBSIDIARIES. INTERPRET DIMENSIONING AND TOLERANCING PER ASME Y14.5-2009. UNLESS OTHERWISE SPECIFIED DIMENSIONS ARE IN INCHES. TOLERANCES DECIMALS ANGLES	TITLE PART NO: 6TC2 AMBIENT COMPENSATED CIRCUIT BREAKER PUSH-PULL, TRIP FREE ENVELOPE DRAWING	
DATE APPROVED	DO NOT SCALE DRAWING	SIZE C	DWG NO. 6TC2
DATE	THIRD ANGLE PROJECTION	SCALE 4:1	REV. V
DEVICE:		PROJECT: 1	
		SHEET 1 OF 1	